

S E R V I C E N O T E

SUPERSEDES: None

8922A GSM RF Test Set

Serial Numbers: 3050A00101 / 3240A00137

Recommended Removal of Hardware

Duplicate Service Notes:

- 8922A-01
- 8922B-01
- 8922E-01
- 8922G-01

Parts Required: None

Situation:

Instruments with serial numbers noted above may have internal hardware (screw and nut) which is improperly attached to the A34 RTI Bypass Assembly. Refer to Figure 1 for location of this assembly. The hardware can become separated from the assembly, contact other circuitry and may cause electrical damage.

Solution/Action:

Remove and discard the hardware. Specific locations are indicated in Figure 2. Check for and remove any loose hardware within the instrument. Re-calibration is not required.

Continued

DATE: 02 June 1994

ADMINISTRATIVE INFORMATION

SERVICE NOTE CLASSIFICATION:					
MODIFICATION RECOMMENDED					
ACTION CATEGORY:	<input type="checkbox"/> IMMEDIATELY <input type="checkbox"/> ON SPECIFIED FAILURE <input checked="" type="checkbox"/> AGREEABLE TIME	STANDARDS:	Labor 1.0 Hour		
LOCATION CATEGORY:	<input checked="" type="checkbox"/> CUSTOMER INSTALLABLE <input type="checkbox"/> ON-SITE <input checked="" type="checkbox"/> SERVICE CENTER	SERVICE INVENTORY:	<input type="checkbox"/> RETURN <input checked="" type="checkbox"/> SCRAP <input type="checkbox"/> SEE TEXT	USED PARTS:	<input type="checkbox"/> RETURN <input checked="" type="checkbox"/> SCRAP <input type="checkbox"/> SEE TEXT
AVAILABILITY:	PRODUCT'S SUPPORT LIFE		AGILENT RESPONSIBLE UNTIL: 01 June 1999		
AUTHOR: LHL	ENTITY: 1000	ADDITIONAL INFORMATION:			

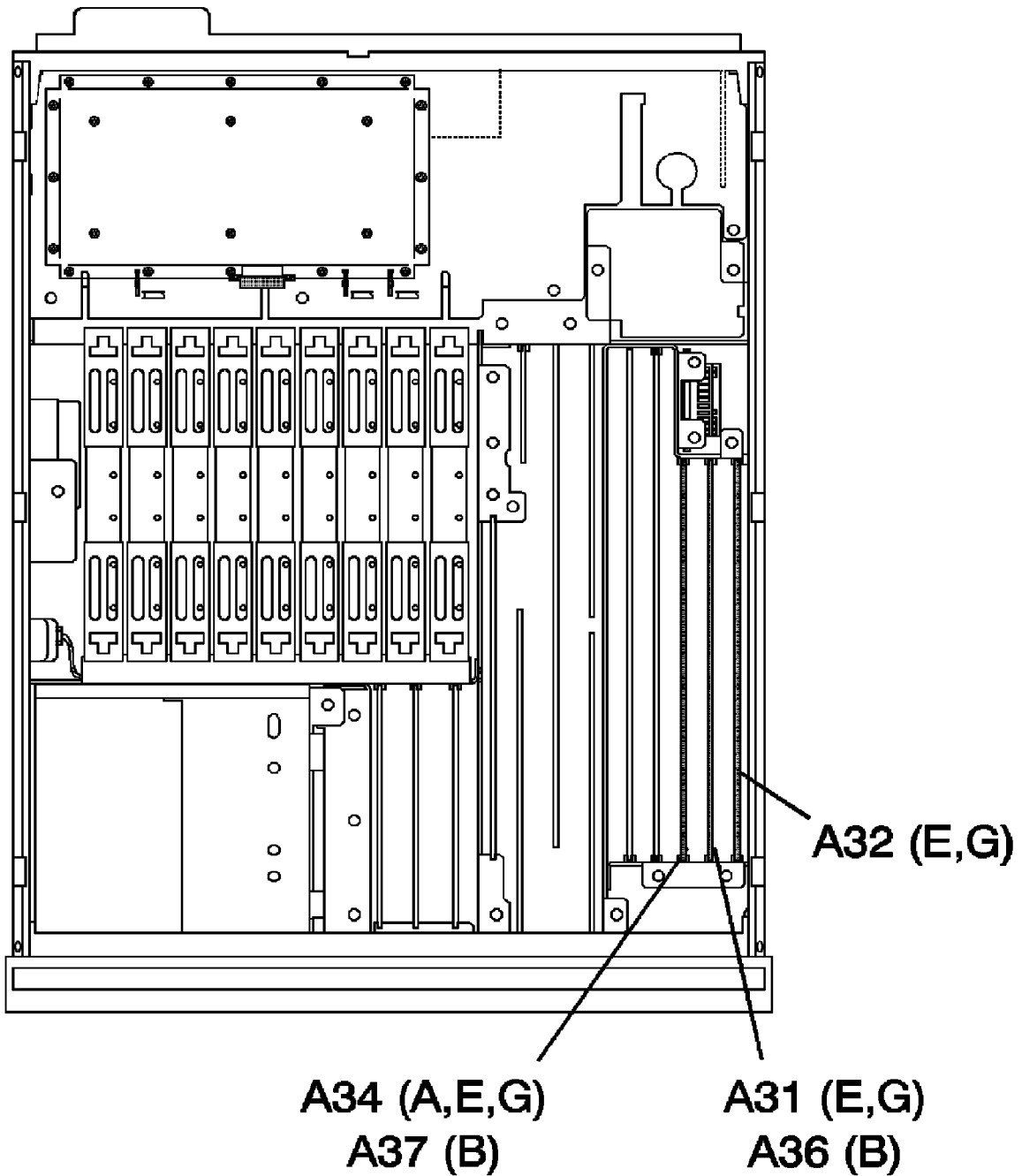


FIGURE 1
Top Internal View of HP 8922A/B/E/G

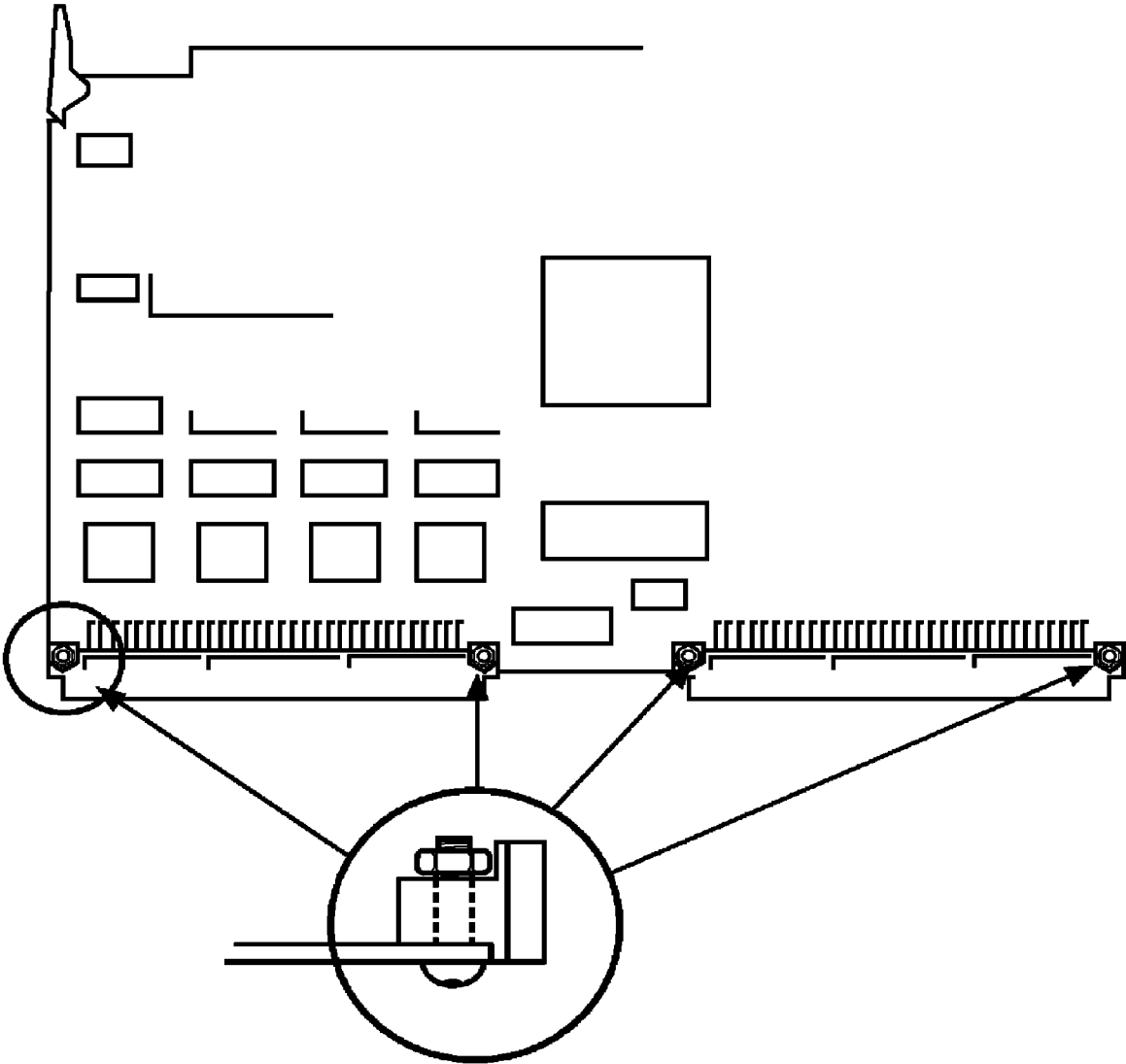


FIGURE 2
Location of Excess Screw and Nut Hardware